

AMERICAN CABLE ROLL-OFF HOISTS

Distributed by Marrel Corp.

Optimized design with the widest range
of capacities.

LIFETIME EXCELLENCE



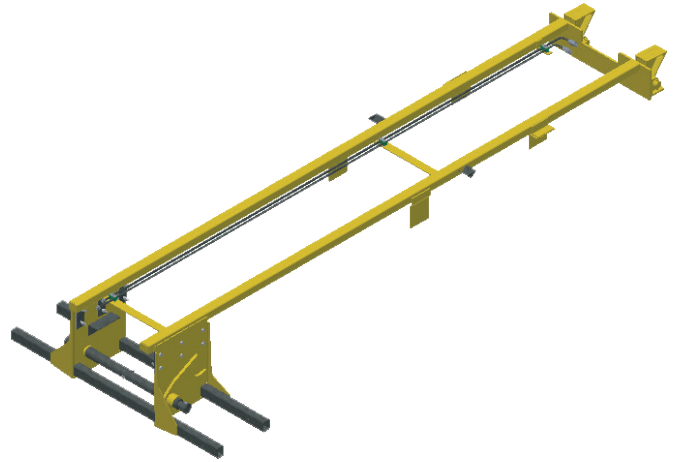
AMERICAN CABLE ROLL-OFF HOIST
DISTRIBUTED BY MARREL CORP.
4750 14 Mile Rd NE | Rockford | MI 49341

T + 1 866 822 3580
F + 1 616 863 9177

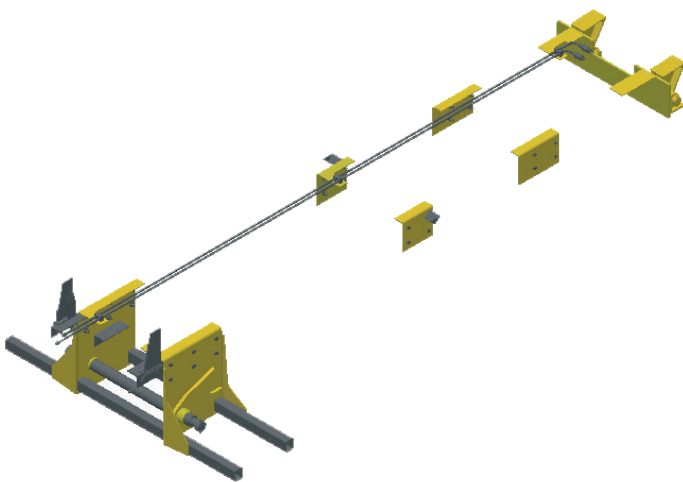


ARB - BASIC MOUNT SERIES

Offering capacity ranges of 60,000 and 75,000 lbs., our Basic Mount Cable Roll-off Hoists are strong solutions for your needs. The Basic Mount offers a standard sub frame to mount the hoist to your chassis, adding great strength to the truck frame.



MODEL	CAPACITY (LB.)	CONTAINER LENGTH (FT.)	DUMP ANGLE	MIN C/T (IN.)	HOIST LENGTH (IN.)	GVWR F/R (LB.)
ARB 60-22	60000	12-22 ft.	48	176	289	18,000/46,000
ARB 75-22	75000	12-22 ft.	48	176	289	18,000/46,000
ARB 75-22 ET	75000	12-22 ft.	48	176	260-320	18,000/46,000
ARB 75-24	75000	12-24 ft.	48	194	307	18,000/46,000



ARD - DIRECT MOUNT SERIES

A lighter weight, but equally strong alternative to our Basic Mount Series, the Direct Mount Cable Roll-off Hoists have the same features and benefits as our Basic Mount Series, but by eliminating the subframe the hoist rests on the truck frame.

Offering capacity ranges of 60,000 and 75,000 lbs., our Direct Mount Series are strong solutions for your needs.

MODEL	CAPACITY (LB.)	CONTAINER LENGTH (FT.)	DUMP ANGLE	MIN C/T (IN.)	HOIST LENGTH (IN.)	GVWR F/R (LB.)
ARD 60-22	60000	12-22 ft.	48	176	289	18,000/46,000
ARD 75-22	60000	12-22 ft.	48	176	289	18,000/46,000
ARD 75-22 ET	60000	12-22 ft.	48	176	260-320	18,000/46,000
ARD 75-22 IO	60000	12-22 ft.	48	176	289	18,000/46,000
ARD 75-24	75000	12-24 ft.	48	194	307	18,000/46,000
ARD 75-24 IO	75000	12-24 ft.	48	194	307	18,000/46,000